

Maintenance consist of hand washing using neutral detergent and drying protected from sunlight. Only for metal mobile parts, lubricate them with silicon oil. For PolyAmide, PolyEster, stainless steel, disinfection consist in whashing at 60°C and drying protected from sunlight. For aluminium alloy, carbon steel or HMPE devices, disinfection consist in a quarantine period of minimum 7 days (see local regulations). In both cases, do not iron, bleach, tumble, spin dry, do not use a dryer. Store and transport the device in a dry place with temperatures between -10°C to 50°C, well ventilated and chemically neutral, protected from sunlight and UV. Do not expose to chemicals, cutting edges, mechanical damage, microbes, rain, or wetness.

User safety depends on continuous efficiency, integrity and strength of the device, which it is necessary to monitor through the controls and the prescribed inspections. Before and after use the user must carry out all the checks described, and in particular make sure that the device is in optimal conditions, works properly, and is suitable for use (any other use is non-compliant and therefore potentially dangerous). Inspections of Category III devices shall be carried out at least every 12 months starting from the first use, by a competent person (e.g. a "KONG PPE Inspector") in compliance with the manufacturer's requirements. The time interval between inspections can be reduced according to the method, the frequency, and the environment of use. The results of periodic inspections must be recorded on the device inspections form or on a designated register.

The lifespan of the metal components is indefinable, theoretically unlimited, while those affected by aging report the expiration date over which the device shall be replaced (usually 10 years from manufacturing). This provided that the device was not used to stop a fall; storage, maintenance, use, comply with the information in this information; the results of pre-use and post-use checks and inspections are positive; the device is used not exceeding the marked breaking load of 1/4 for metal devices, or 1/10 for textile devices.

This device can be used in combination with other devices when compatible with relevant manufacturer information. Discard the devices used to stop a fall or which have not passed pre-use or post-use checks, or periodic inspections. Personal use of the device is recommended. If the user has the slightest doubt about the efficiency of the device shall replace it immediately, particularly after using it to stop a fall. Avoid exposing the device to sources of heat and contact with substances chemical. Reduce direct exposure to the sun, in particular for textile and plastic devices. Low temperatures and humidity can facilitate the formation of ice, make it difficult to make connections, reduce flexibility, as well as increasing the risk of breakage, cutting and abrasion. The minimum strength of the anchor points shall be at least 12 kN, both made on natural and artificial elements. The evaluation of those made on natural elements (rock, plants, etc.) are only possible in an empirical way, so it shall be carried out by a trained and experienced person. For those made on elements artificial (metal, concrete, etc.), the evaluation can be carried out scientifically, therefore it shall be carried out by a trained and authorized person. EN363 fall protection/prevention systems requires a EN795 anchor point.

Prolonged suspension, especially if inert, can cause damage irreversible and even death. It is absolutely forbidden to modify and / or repair the device, outside than what is prescribed in this information. This device shall only be used by users medically fit, trained (and educated) for use or under direct control of trainers / supervisors. Improper use, deformations, falls, wear, chemical contamination, exposure to temperatures below -30 ° C or above + 50 ° C for textile/plastic parts/devices and + 120 ° C for metal devices, are some examples of other causes that can reduce, limit and terminate the life of the device.

TEMPORARY SAFETY LINE



KONG S.p.A. - Via XXV Aprile, 4 - 20123 Milano (MI) - Italy
WWW.KONG.IT



EN 795:2012 type B
 CEN TS 16415:2013
 206.000

This manufacturer's instructions and information must be read and well understood by the user before using the device. Check that the device has been supplied intact, in the original packaging and with its information. For devices sold in different countries from the destination of origin, the distributor must verify and supply the translation of this information. In individual fall protection/prevention systems is essential to carry out risk assessment and ensure that the entire system, of which this device is only one part, is both reliable and safe. There must be in place a rescue plan to deal with any emergencies that could arise while using the device. The position of the anchor device or the anchor point is fundamental and must be as high as possible, while the height of potential falls must be reduced to the minimum. Devices employed must be suitable for the purpose and certified. In a fall arrest system it is mandatory to use a full body harness being the only device suitable for this use and it must comply with current regulations. Assess the clearance under the user, the height of a potential fall, the stretch of the line/rope, the deployment of an eventual energy absorber, the height of the user, and the "pendulum" effect, in order to avoid any possible obstacle. Personal protective equipment is certified by the notified body reported in the specific instructions of the device in accordance with Annex V of the Regulation (EU) 2016/425. If Category III PPE, they are subject to surveillance of production by the notified body whose accreditation number is marked on the device, in accordance with Annex VIII of the Regulation (EU) 2016/425. MASTER TEXT in English

The Category III Personal Protective Equipment 206.000 is:
 - anchor device employing a flexible anchor line which may deviate from the horizontal up to 15°, suitable for use straight and with a length from 2m to 20m;
 - part of a system of protection against and/or prevention of falls from a height;
 - certified according to standards EN 795:2012 and CEN TS 16415:2013 for use up to 2 persons, and tested according to EN 795:2012 and CEN TS 16415:2013 type C.

- Fig. 1 – Termination – Connect to the structure this device by using 2 connector in the eyelets (A). To create an intermediate anchor, use a connector to connect the line (C) and a suitable anchor element.
- Fig. 2 – Tensioning – Tight this device by acting on the lever of the latch (B), winding the line (C) for at least 3 full turns on the latch (B) drum.
- Fig. 3 – Horizontal – This device must be installed straight and without deviating more than 15° from the horizontal.
- Fig. 4 – Proper connection - Use a connector to connect the fall protection or fall prevention system. Between 2 users there must be at least one anchor element. To overcome a discontinuity in the line (C) (e.g. intermediate anchor), employ an additional fall protection system after the discontinuity and then disconnect the other.
- Fig. 5 – Release – To release tension of the line (C) pull the lever of the latch (B).
- Fig. 6 – Wrong and dangerous – Examples of wrong and dangerous use, pay great attention during installation and verify that the anchor element are correctly installed, the line (C) is straight, clearance is adequate, and other foreseeable risks related to the environment are taken into account.

Compatibility – This device has been designed to be used with:
 - fall arrest systems according to EN355, EN360;
 - fall prevention systems according to EN354, EN358;
 - lines according to EN354, EN1891, and fall arresters according to EN353-2, EN12841;
 - fixed anchor element, or mobile anchor elements according to EN795, with a minimum strength of 30kN;
 - to attach fall protection or prevention systems, connectors according to EN362 suitable for use directly on EN362 class M with a major axis MBS of at least 40kN.

Checks before and after use - Before and after use, make sure that the device is in an efficient condition and that it is working properly, in particular, check that:
 - is suitable for the intended use;
 - has not been mechanically deformed;
 - shows no sign of UV contamination, corrosion and oxidation;
 - latching device (B) is properly working as described;
 - stitching (D) are intact and there are no cut or loose threads;
 - tape does not have cuts, burns, chemical residues, excessive hair, wear, in particular check the areas in contact with metal components;
 - markings are still readable.
 Before use and in a position that is completely safe, on each occasion check that the device holds correctly by putting your weight on it.

Important:
 - it is recommended to mark the device with the last or next inspection date;
 - the line (C) must be orderly wound on the drum of the latch (B) for at least 3 full turns;
 - the installation must be carried out by competent persons and properly checked by means of calculations or tests;
 - consider the maximum displacement of the device in the load application condition (up to 0.3m with a 2m span, 3m with a 20m span);
 - consider the suitability of the structure and/or fixed anchor elements according to the load (up to 21kN) transmitted by the device during use and its direction of application, which varies according to the type of installation;
 - when used as anchor device in a fall arrest system, the user has to be equipped with a means of limiting the dynamic forces exerted on the user during the arrest of a fall to a maximum of 6 kN.

Warning:
 - do not connect more than 2 persons at the same time;
 - there must be at least 3 full turns on the drum of the latch;
 - it is always necessary at least an intermediate anchor element between 2 users;
 - connected devices must not interfere with each other, and must be free to move and position themselves in the foreseeable direction of load application;
 - carefully evaluate clearance below the user and the line (C), keeping in mind the performances of the used devices, distance with near structures, displacement and deflection;
 - the device must be properly installed to the anchor elements to prevent sliding and/or unintentional disconnection, and only be used as protective equipment against falls from a height and not to lift materials.

Note: when set as required by EN 795, the installer of the anchorage devices must issue to the customer the installation documentation, signed by the same, containing at least the following information: address and location of the installation, the name and address of the company that performed the installation, the name of the person in charge of the installation, the identification of the anchoring device, methods and data relating to the fixing system, the schematic plan of installation to display to the users. This documentation must be kept by the purchaser for recording subsequent inspections of the anchor device. See EN795 for better reference.

TRACEABILITY

Batch number / Numero di lotto / Numéro de lot / Chargennummer / Partijnummer / Número do lote / Номер партии

Progressive number in the batch / Numero progressivo nel lotto / Numéro de série dans le lot / Fortlaufende Nummer im Los / Número sequencial no lote / Número progresivo en el lote / Последовательный номер в партии

Month (MM) and year (YYYY) of production / Mese (MM) e anno (YYYY) di produzione / Mois (MM) et année (YYYY) de production / Monat (MM) und Jahr (YYYY) der Produktion / Mes (MM) y año (YYYY) de producción / Mês (MM) e ano (YYYY) de produção / Месяц (MM) и год (YYYY) производства

MM / YYYY

Month (MM) and year (KKKK) of expiration / Mese (MM) e anno (KKKK) di scadenza / Mois (MM) et année (KKKK) de péremption / Monat (MM) und Jahr (KKKK) der Gültigkeit / Mes (MM) y año (KKKK) de caducidad / Mês (MM) e ano (KKKK) data de validade / Месяц (MM) и год (KKKK) окончания срока годности

MM / KKKK

SYMBOLS USED

Correct use - Uso corretto - Utilisation correcte - Sachgemäßer Gebrauch / Uso correcto - Utilização correta - Правильное использование

Wrong use - Uso errato - Mauvaise utilisation - Unsachgemäßer bzw. falscher Gebrauch / Uso equivocado - Utilização incorreta - Неправильный использовать

Attention, not allowed - Attenzione, non consentito - Attention, non autorisé - Achtung, nicht erlaubt / Atención, no permitido - Atenção, não permitido - Внимание, запрещено

Danger of death - Pericolo di morte - Danger de mort - Todesgefahr / Peligro de muerte - Perigo de morte - Опасность смерти

Anchor point - Punto di ancoraggio - Point d'ancrage - Anschlagpunkt / Punto de anclaje - Ponto de ancoragem - Якорная точка

Manoeuvre with the need of manual control - Manovra con necessità di controllo manuale - Manoeuvre avec nécessité d'un contrôle manuel / Manöver mit einer erforderlichen manuellen Kontrolle - Manobra con necesidad de control manual - Manobras con necessidade de controle manual - Маневрирование без необходимости ручного управления

Attached person - Persona collegata - Personne rattachée - Verbundene Person / Persona enganchada - Pessoa ligada - Прикрепленный человек

Load - Carico - Charge - Belastung - Carga - Carga - Зарузка

NOMENCLATURE

EN: (A) Terminal loops, (B) Latching device, (C) Anchor line, (D) Stitching, (E) Bag. Main material: PolyAmide, PolyEster, and plated steel.

IT: (A) Anse terminali, (B) Dispositivo di chiusura, (C) Linea di ancoraggio, (D) Cucitura, (E) Borsa. Materiale principale: Poliammide, PoliEster e acciaio placcato.

FR: (A) Boucles terminales, (B) Dispositif de verrouillage, (C) Ligne d'ancrage, (D) Couture, (E) Sac. Matériau principal : PolyAmide, PolyEster, et acier plaqué.

DE: (A) Klemmschlaufen, (B) Verriegelungsvorrichtung, (C) Verankerungslinie, (D) Nähte, (E) Tasche. Hauptmaterial: Polyamid, PolyEster und beschichteter Stahl.

ES: (A) Lazos terminales, (B) Dispositivo de enganche, (C) Línea de anclaje, (D) Costura, (E) Bolsa. Material principal: PolyAmide, PolyEster y acero chapado.

PT: (A) Laços terminais, (B) Dispositivo de travamento, (C) Linha de ancoragem, (D) Costura, (E) Saco. Material principal: PolyAmide, PolyEster, e aço laminado.

RU: (A) Клеммные петли, (B) Защелкивающее устройство, (C) Якорная линия, (D) Швы, (E) Сумка. Основной материал: PolyAmide, PolyEster и сталь с покрытием.

Read and always follow the information supplied by the manufacturer
 Leggere e seguire sempre le informazioni fornite dal fabbricante
 Toujours lire et suivre les informations fournies par le fabricant
 Die Angaben des Herstellers müssen immer gelesen und befolgt werden
 Lea siempre y respete la información proporcionada por el fabricante
 Leia e siga sempre as informações fornecidas pelo fabricante
 Читайте и всегда следуйте информации, предоставленной производителем

CE CERTIFIED BY

MODULE D surveillance NB n° 0068
 MTIC InterCert S.r.l. Via G.Leopardi 14 20123 - Milano (MI) - Italy

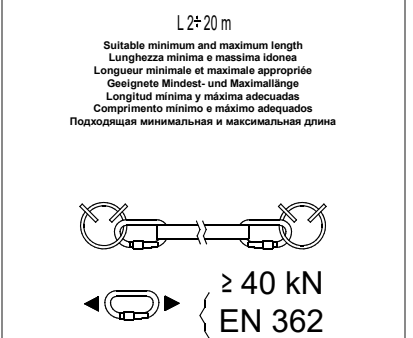
According to PPE Regulation 2016/425
 MODULE B type certificate NB n° 0123
 TÜV SÜD Product Service GmbH Daimlerstraße 11 85748 Garching - Germany

Download the declaration of conformity at:
 Scarica la dichiarazione di conformità a :
 Télécharger la déclaration de conformité à:
 Laden Sie die Konformitätserklärung herunter zu:
 Descargar la declaración de conformidad en:
 Descarregue a declaração de conformidade de:
 Скачайте декларацию о соответствии по адресу:
www.kong.it/conformity

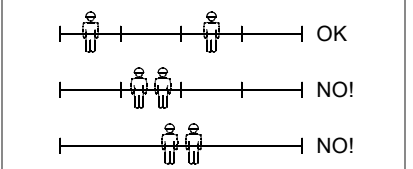
MARKINGS

EN 795:12 / B MAX 2

Conformity to the standard EN795:2012 type B Mobile anchor devices
 Conformity to the standard CEN TS 16415:2013 Mobile anchor devices - Up to 2 contemporary users
 Conformità alla norma EN795:2012 tipo B Dispositivi di ancoraggio mobili - Fino a 2 utenti contemporanei
 Conformité à la norme EN795:2012 type B Dispositifs d'ancrage mobiles - Jusqu'à 2 utilisateurs contemporains
 Konformität mit der Norm EN795:2012 Typ B Mobile Anschlageneinrichtungen - Bis zu 2 gleichzeitige Benutzer
 Conformidade com a norma EN795:2012 tipo B Dispositivos de ancoragem móveis
 Conformidade com a norma CEN TS 16415:2013 Dispositivos móveis de ancoragem - Até 2 utilizadores contemporâneos
 Соответствие стандарту EN795:2012 тип B Мобильные якорные устройства
 Соответствие стандарту CEN TS 16415:2013 Мобильные якорные устройства - До 2 современных пользователей



For a correct installation are required two EN362 connectors with an MBS of at least 40kN.
 Per una corretta installazione sono necessari due connettori EN362 con un MBS di almeno 40kN.
 Pour une installation correcte, deux connecteurs EN362 avec un MBS au moins 40kN sont nécessaires.
 Für eine korrekte Installation sind zwei EN362-Verbindler mit einer MBS von mindestens 40kN erforderlich.
 Para una correcta instalación se requieren dos conectores EN362 con un MBS de al menos 40kN.
 Para uma instalação correcta são necessários dois conectores EN362 com um MBS de pelo menos 40kN.
 Для правильной установки необходимы два соединителя EN362 с MBS не менее 40кН.



Connection of contemporary users
 One per span - OK
 Two per span - improper and dangerous use
 Two without intermediate elements - improper and dangerous use
 Collegamento di utenti contemporanei
 Uno per campata - OK
 Due per campata - uso improprio e pericoloso
 Due senza elementi intermedi - uso improprio e pericoloso
 Conexión de utilizadores contemporâneos
 Um par través - OK
 Deux par través - utilisation inappropriée et dangereuse
 Deux sans éléments intermédiaires - utilisation impropre et dangereuse
 Anschluss von zeitgleichen Nutzern
 Eine pro Feld - OK
 Zwei pro Feld - unsachgemäße und gefährliche Verwendung
 Zwei ohne Zwischenelemente - unsachgemäße und gefährliche Verwendung
 Conexión de usuarios contemporâneos
 Uno por vano - correcto
 Dos por vano - uso improprio y peligroso
 Dos sin elementos intermedios - uso inadecuado y peligroso
 Ligação de utilizadores contemporâneos
 Um por vão - OK
 Dois por vão - utilização imprópria e perigosa
 Dois sem elementos intermédios - utilização imprópria e perigosa
 Подключение современных пользователей
 Один на пролет - нормально
 Два на пролет - ненадлежащее и опасное использование
 Два без промежуточных элементов - неправильное и опасное использование

Please consult our website for information on guarantee and law obligations:
 www.kong.it/additionalinfo



INSPECTION SHEET

1	2	3	4	5	6	7	8	9	10	11	12
1	Model - Modello - Modèle - Modelli - Modelo - Modelo - Модель										
2	Serial number - Numero seriale - Numéro de série - Seriennummer / Número de serie - Número de série - Серийный номер										
3	Production date - Data di produzione - Date de production - Herstellungsdatum / Fecha de producción - Data de produção - Дата производства										
4	Expiring date - Data di scadenza - Date de péremption - Gültigkeitsdatum / Fecha de caducidad - Prazo de validade - Дата истечения срока действия										
5	First use date - Data di primo utilizzo - Date de première utilisation / Datum der Erstbenutzung / Fecha del primer uso - Data da primeira utilização / Дата первого использования										
6	User name - Nome utilizzatore - Nom d'utilisateur - Name des Anwenders / Nombre del usuario - Nome do utilizador - Имя пользователя										
7	Place of purchase - Luogo di acquisto - Lieu d'achat - Verkaufsort / Lugar de adquisición - Local de compra - Место приобретения										
8	Inspection date - Data ispezione - Date de l'inspection - Datum der Inspektion / Fecha de inspección - Data da inspeção - Дата проверки										
9	Result - Risultato - Résultat - Ergebnis - Resultado - Результат										
10	Comments - Commenti - Commentaires - Anmerkungen / Comentaríos - Comentários - Комментарии										
11	Next inspection before - Proxima ispezione entro - Prochain inspection avant le / Nächste Inspektion innerhalb von - Próxima inspección dentro de - Próxima inspeção dentro de - Следующая проверка до										
12	Inspector's sign - Firma ispettore - Signature de l'inspecteur - Unterschrift des Prüfers / Firma del Inspector - Assinatura do inspetor - Знак инспектора										

DRAWINGS

